

Booster Water Pump with Performance

EBP ELECTRIC BOOSTER PUMP

2 YEAR WARRANTY



EXCITING
NEW
PRODUCT

High performance for heating/cooling on cars, boats, bikes and solar...

The 12 volt Davies Craig Electric Booster Pump (EBP), with its high flow capacity, specially designed hermetic seal and robust magnetic drive, makes it ideal for a range of applications:

- Booster for car cooling/heating systems including 4WD and recreational vehicles
- Efficient cooling of go-kart engines
- Water cooled motor cycle engines - replaces mechanical water pump
- Heating, cooling and water pumping in caravans and motor homes
- Boats and other marine applications
- Solar heating and irrigation.

Easy installation - Quality construction

The EBP is compact and easy to install - just cut the appropriate hose and fit it directly. The EBP's design and engineering is backed by a Davies Craig two year warranty. Supplied with installation kit and instructions.

Vehicle cabin heating

The EBP reduces warm-up time and increases hot water flow directly from the cylinder head to the heater core. This gives a faster warm-up and increasing available heat to the vehicle cabin.

... Or efficient cooling

The EBP helps cooling by increasing water circulation around the cylinder head. To prevent hot spots within the cylinder head, the pump can be wired to the ignition or connected to a timer (not supplied) so that it can run-on after engine shut-down to prevent heat build.

Discover how you can boost your pumping performance. Contact details over.



INNOVATION - QUALITY - RANGE

MOTORSPORT

OFF-ROAD

4 WDS

CARAVANS

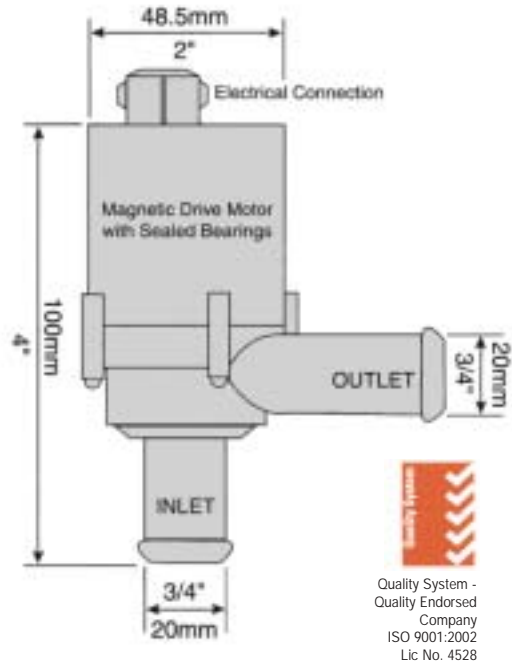
GO-KARTS

BIKES

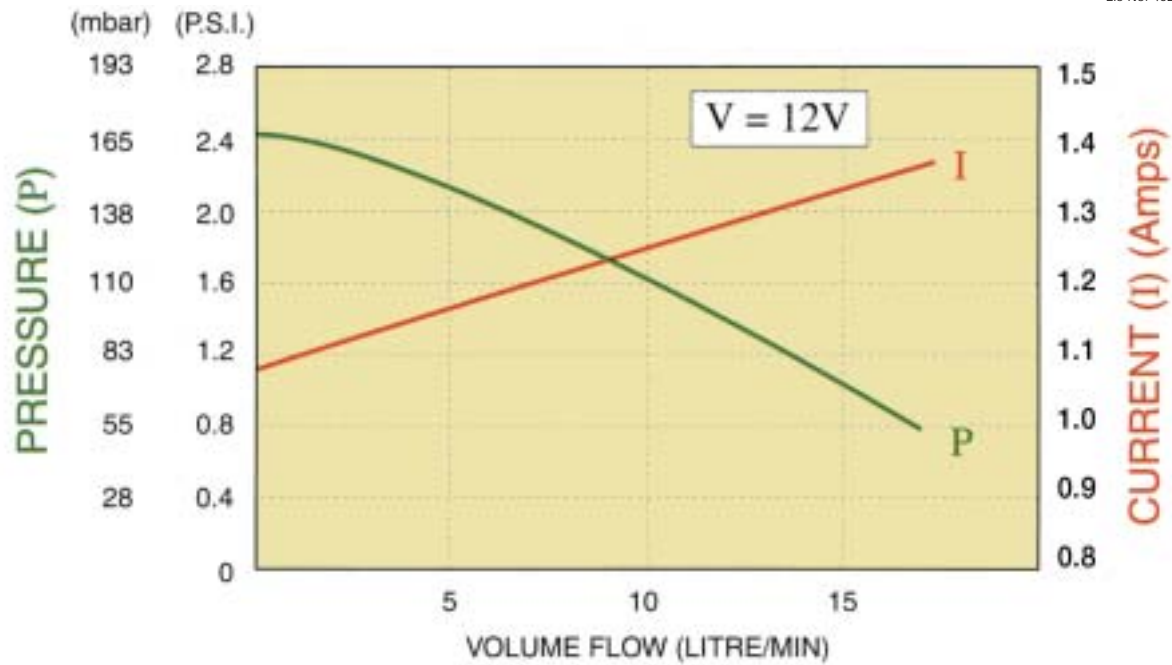
BOATS

TECHNICAL SPECIFICATION

Operating Voltage	9V DC to 15V DC
Maximum Current	1.3A
Flowrate	13.3L/min (175gal/hr) at 10kPa
Operating Temperature	-40°C to +135°C (-10°F to 275°F)
Pump Design	Clockwise Centrifugal Pump
Motor Life	15,000hrs
Pump Weight	approx. 260g (0.6 lbs)
Drive	Magnetic - no seal



Quality System -
Quality Endorsed
Company
ISO 9001:2002
Lic No. 4528



Local Stockist